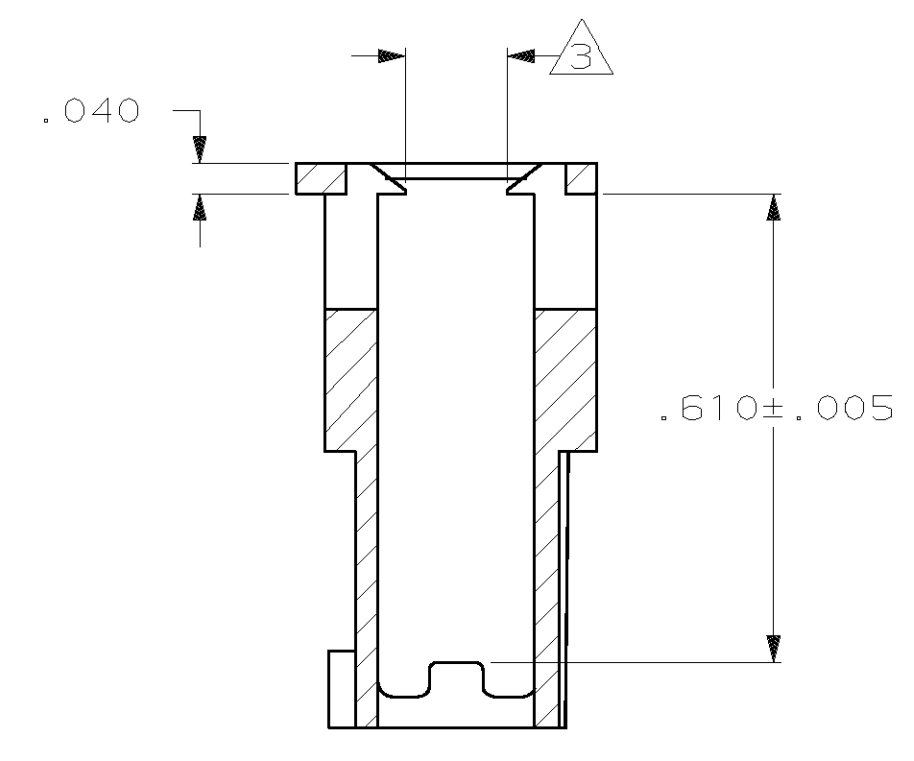
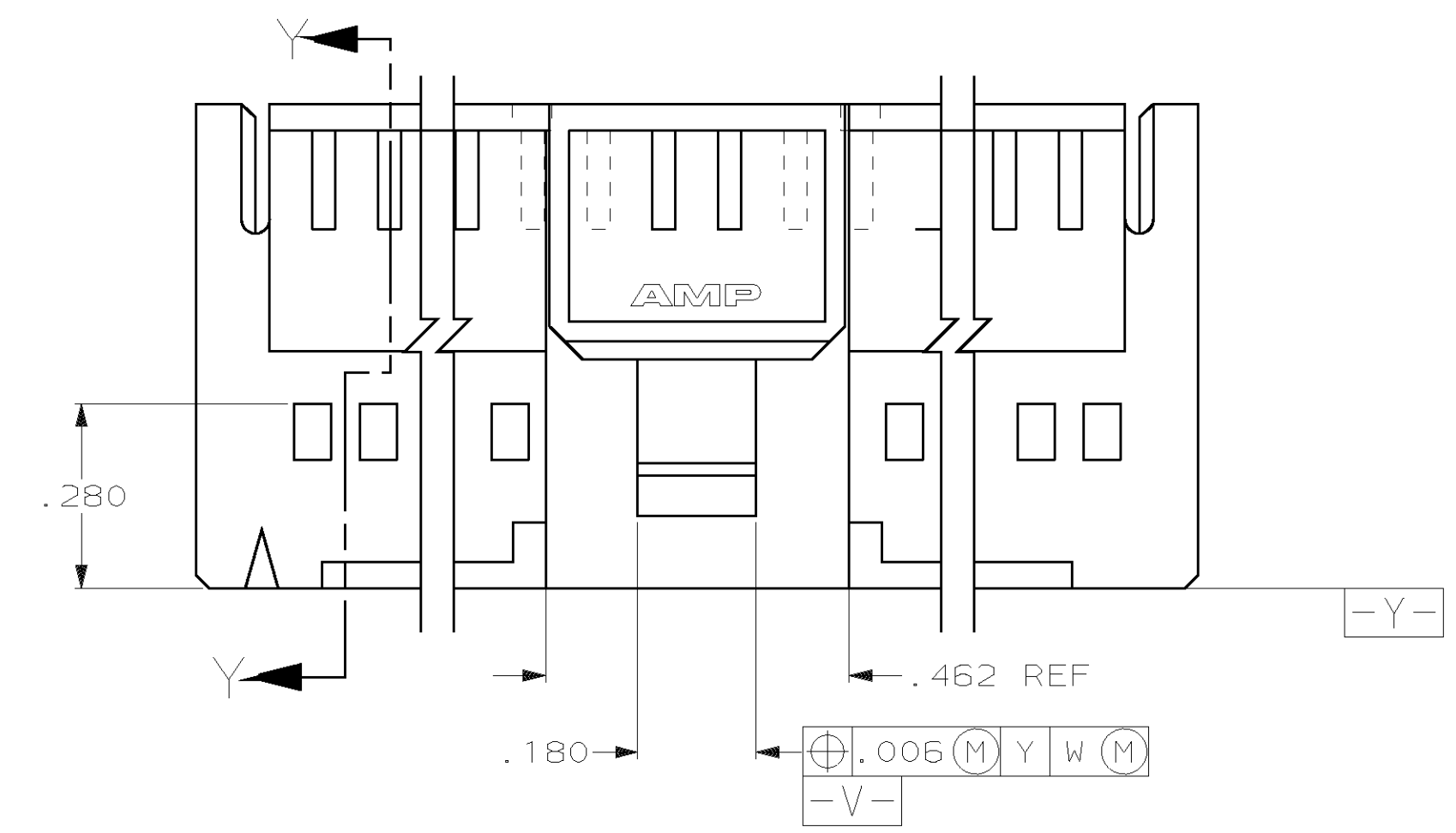
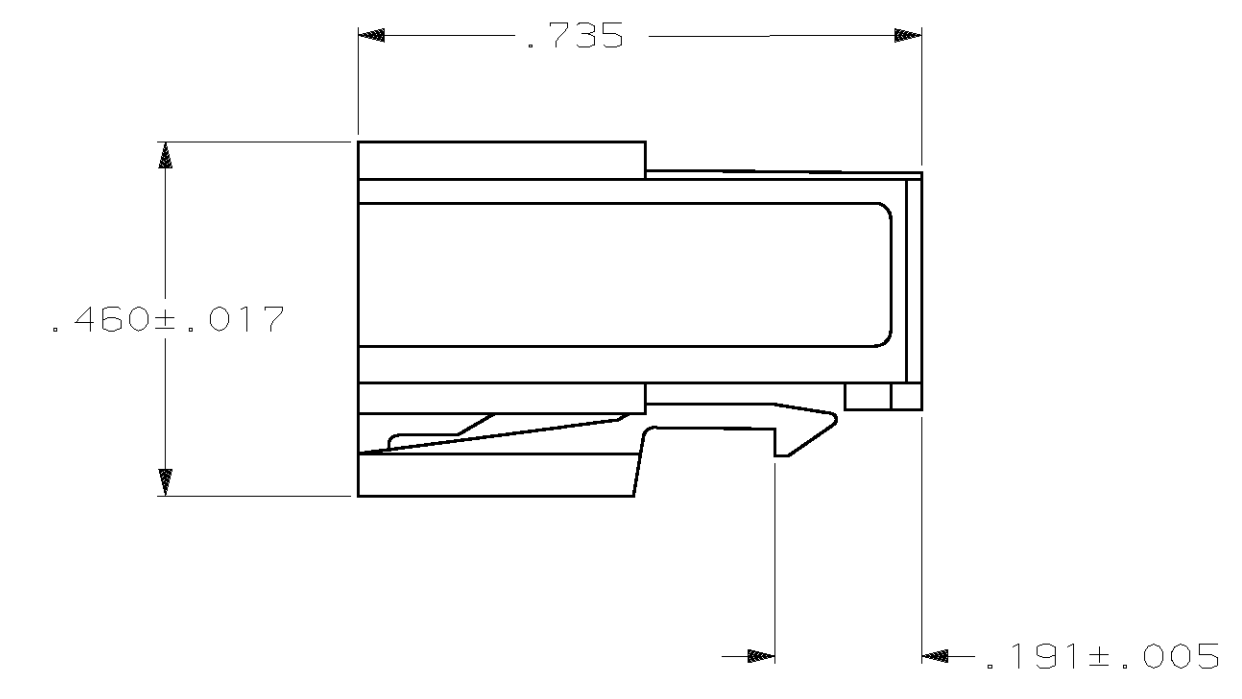
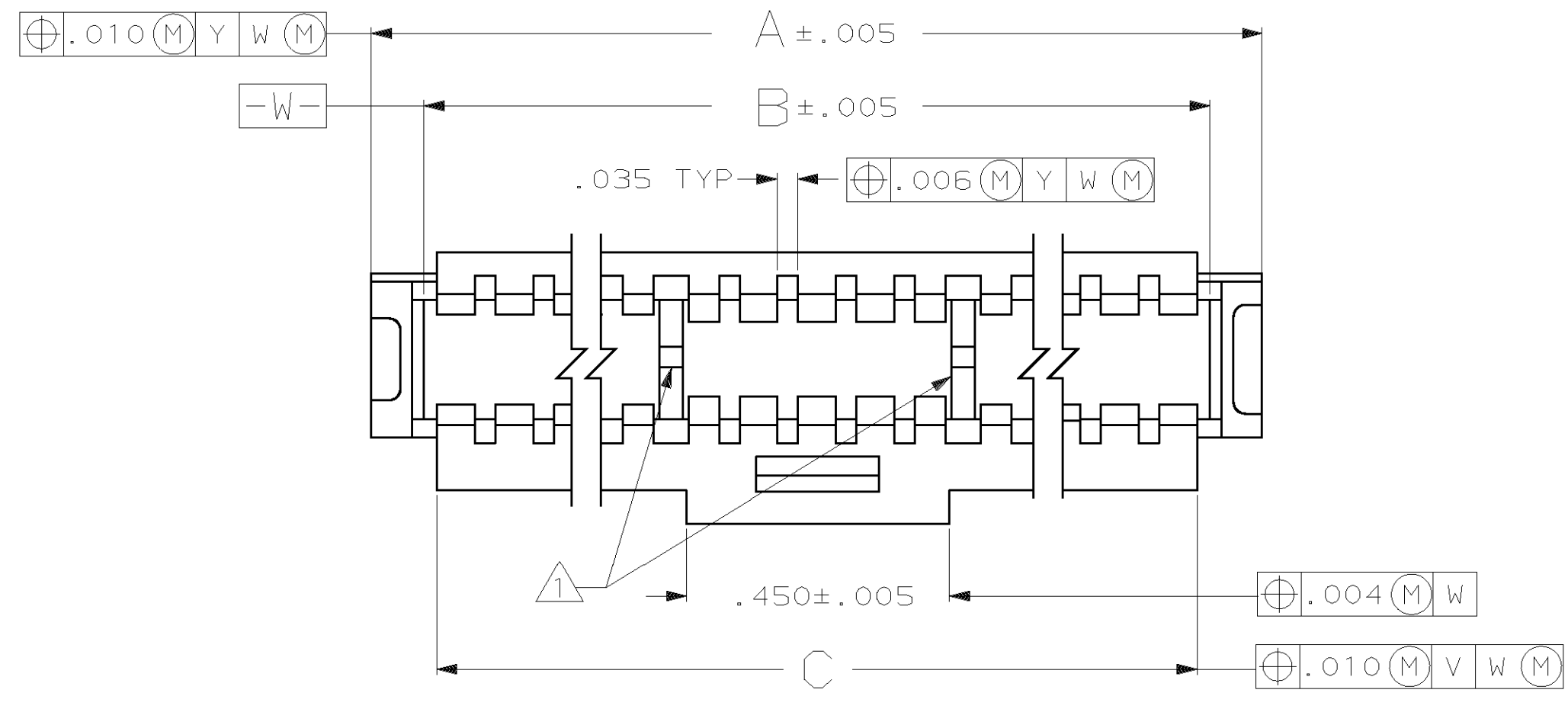


MOD	LOC	DIST	P	F	ZONE	LTR	REVISIONS	DATE	APPD
34	AD	39					O RELEASED	12-1-88	-
							A REV ECN AR2293	CO 3-28-89	-
							B REV ECN AR2403	JPG 4-7-89	-
							C REV LOC & DIST AD-4171	3-90	BF
							D REV PER 0010-0322-93	7-93	JG
							E OBS PER 0010-0831-93	7-93	JG
							F REV PER 0010-1290-93	2-94	JG
							G REV PER 0010-0782-93	2-16-94	JG
							H REV PER 0010-1884-93	2-16-94	JG
							J REV PER 051A-0068-99	110CT99	JG
							K REV PER 051A-0100-99	200CT99	JG
							L REV PER 063C-0073-00	14APR00	KW



SECTION Y-Y

- 1 SEE TABLE FOR RIB QTY
- 2 THIS COUPLING SHROUD IS TO BE USED WITH AMPMODU® MTE RECEPTACLE ASSEMBLIES WITH GUIDE RIBS. THE NUMBER OF POSITIONS LISTED EQUALS THE TOTAL NUMBER OF POSITIONS WHICH CAN BE CONTAINED WITHIN THE COUPLING SHROUD.
- 3 .133 BETWEEN RIBS REFERENCED BY NOTE 1 ONLY. .153 ON ENDS (AREAS OUTSIDE OF THE RIBS).

C	B	A	NO OF RIBS	NO OF POSN	PART NUMBER
2.460	2.505	2.685	2	50	1-104500-1
1.960	2.005	2.085	2	40	1-104500-0
1.660	1.705	1.885	2	34	104500-9
1.560	1.605	1.785	2	32	104500-8
1.460	1.505	1.685	2	30	104500-7
1.360	1.405	1.585	2	28	104500-6
1.260	1.305	1.485	2	26	104500-5
1.160	1.205	1.385	2	24	104500-4
1.060	1.105	1.285	2	22	104500-3
.960	1.005	1.185	2	20	104500-2
.860	.905	1.085	2	18	104500-1

DO NOT SCALE PRINT. UNLESS SPECIFIED DIMENSIONS IN INCHES. TOLERANCES ON: 2 PLC DEC ± .010 ANGLES ± .	DR 12-1-88 D KEITZER CHK 12-7-88 S. SHUEY APPD 12-14-88 C. SINISI APPD 12-14-88 B. FLINCHBAUGH	AMP INCORPORATED Harrisburg, Pa. 17105 NAME COUPLING SHROUD, AMPMODU® MTE, DOUBLE ROW, .100X.100
MATERIAL FLAME RETARDANT THERMOPLASTIC COLOR-BLACK	PRODUCT SPEC 108-25034	
FINISH -	APPLICATION SPEC 114-25026	SIZE D 00779 FSCM NO DRAWING NO 104500 SCALE 4:1 SHEET 1 OF 1